

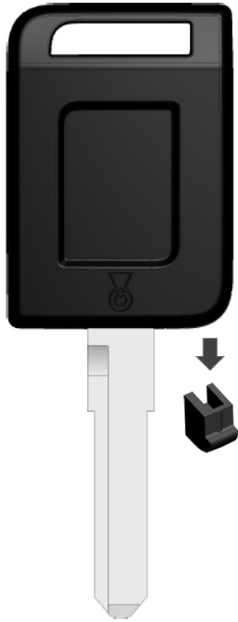


2020 NEW KEYS



AUG 2020

MAHINDRA



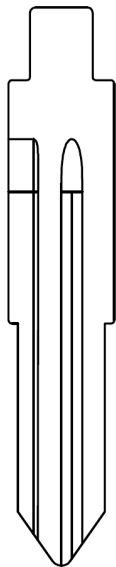
(Nickel Silver Blade)

T7335

For

**THAR
(WITH CAP)**

CHEVROLET



T7325

For

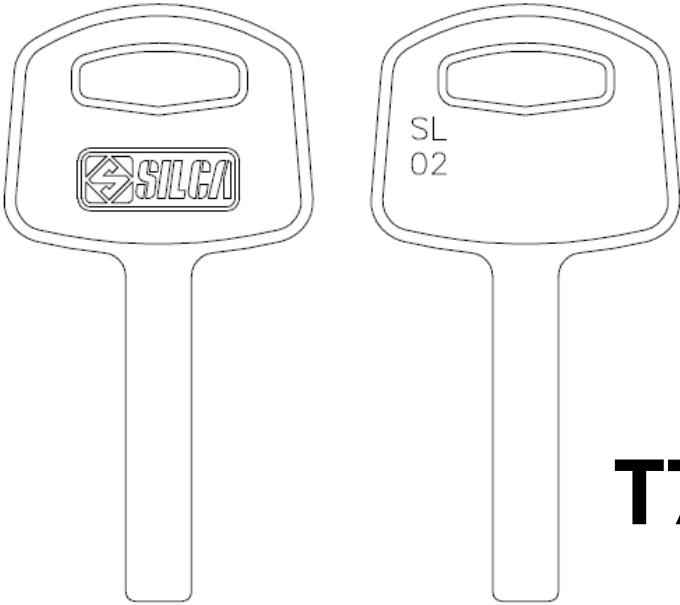
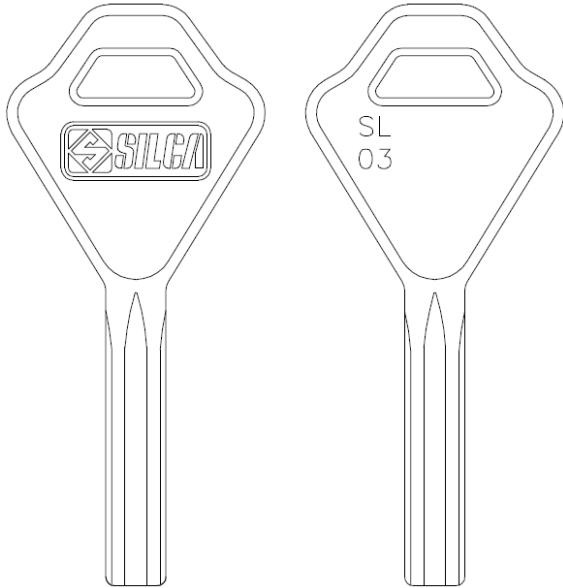
**OPTRA
(XHORSE / KD
Profile)**



WWW.MINDASILCA.IN

Disclaimer : In compliance with current regulations relating to industrial property, we hereby state that the trade-mark or trade names mentioned in our catalogue are the exclusive property of authorized manufacturer of locks and users. Said trade-marks or trade names are nominated only for the purpose of information so that any lock for which our keys are made can be rapidly identified. This catalogue is reserved exclusively for professional key cutters who use Minda Silca products. All information and illustration in this catalogue are for guidance only. Minda Silca reserves the right to alter designs, dimensions or prices without prior notice. The content of this catalogue are fully protected by copyright and may not be copied or reproduced in any form, without written permission from Minda Silca. Any infringement will be dealt with under Indian law.



SOLO		
 <p>T7348</p>	(Brass Blade)	For TITAN
 <p>T7350</p>	(Brass Blade)	For TITAN

WWW.MINDASILCA.IN

Disclaimer : In compliance with current regulations relating to industrial property, we hereby state that the trade-mark or trade names mentioned in our catalogue are the exclusive property of authorized manufacturer of locks and users. Said trade-marks or trade names are nominated only for the purpose of information so that any lock for which our keys are made can be rapidly identified. This catalogue is reserved exclusively for professional key cutters who use Minda Silca products. All information and illustration in this catalogue are for guidance only. Minda Silca reserves the right to alter designs, dimensions or prices without prior notice. The content of this catalogue are fully protected by copyright and may not be copied or reproduced in any form, without written permission from Minda Silca. Any infringement will be dealt with under Indian law.